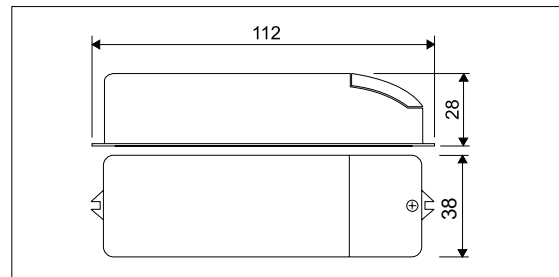


# MINILED



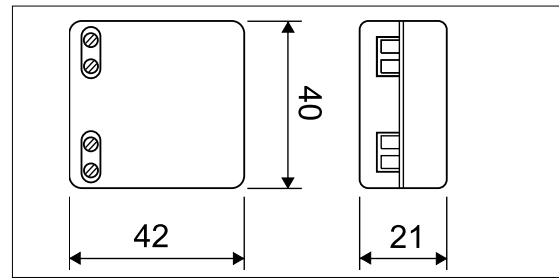
Led driver with stabilized output voltage for LED modules.

Электронный блок питания со стабилизированным напряжением на выходе для модулей с сигнальными светодиодами



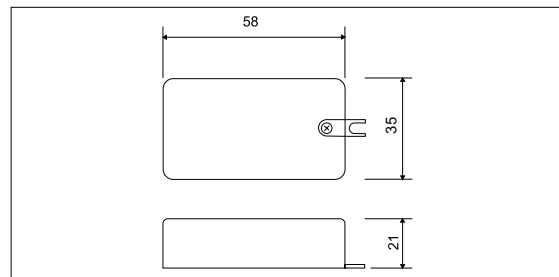
Dimensions (mm)  
Размеры (mm)

RN1365 - MINILED 10-15W  
RN1367 - MINILED 12-15W  
RN1366 - MINILED 24-25W



Dimensions (mm)  
Размеры (mm)

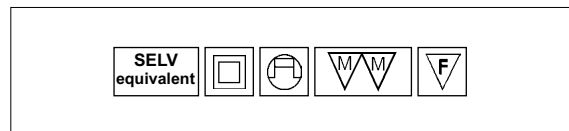
RN1342 - MINILED 12-3W  
RN1344 - MINILED 24-3W



Dimensions (mm)  
Размеры (mm)

RN1393  
MINIPOWERLED 350-6W

RN1397  
MINIPOWERLED 700-6W

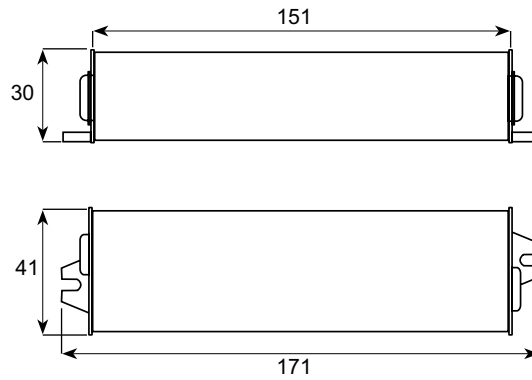


Article Артикул	W	V	Hz	V <sub>out</sub>	t <sub>a</sub> °C	t <sub>c</sub> °C		L [mm]	P [mm]	H [mm]		Code Код
MINILED 10-15W	15	90+264	50+60	10 dc	-15+40	85	2 - 2	112	38	28	1	RN1365
MINILED 12-15W	15	90+264	50+60	12 dc	-15+40	85	2 - 2	112	38	28	1	RN1367
MINILED 24-25W	25	90+264	50+60	24 dc	-15+40	85	2 - 2	112	38	28	1	RN1366
MINILED 12-3W	3	90+264	50+60	12 dc	50	85	2 - 2	40	42	21	1	RN1342
MINILED 24-3W	3	90+260	50+60	24 dc	50	85	2 - 2	40	42	21	1	RN1344
MINIPOWERLED 12-6W	6	220+240	50+60	12 dc	50	80	2 - 2	58	35	21	1	RN1397
MINIPOWERLED 24-6W	6	220+240	50+60	24 dc	50	80	2 - 2	58	35	21	1	RN1393



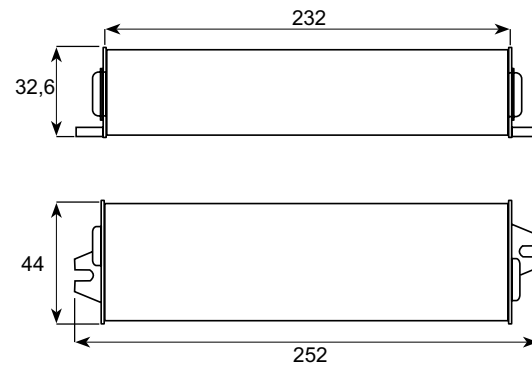
24373 - MINILED 30W 24V

Dimensions (mm)  
Размеры (mm)



24375 - MINILED 50W 24V  
24369 - MINILED 75W 12V  
24371 - MINILED 75W 24V  
24377 - MINILED 90W 24V  
24379 - MINILED 50W 12V

Dimensions (mm)  
Размеры (mm)



Miniled

IP64

SELV  
equivalent



Article Артикул	W	V	Hz	V <sub>out</sub>	ta °C	tc °C	IN OUT	L [mm]	P [mm]	H [mm]	Code Код
MINILED 12W 24V	25-30	220-240	50	12-24	40°	80°	-	145	39	28	1 RN1392
MINILED 30W 24V	30	220-240	50-60	24	50°	80°	-	171	41	30	1 24373
MINILED 50W 24V	50	220-240	50-60	24	50°	80°	-	252	44	33	1 24375
MINILED 50W 12V	50	220-240	50-60	12	50°	80°	-	252	44	33	1 24379
MINILED 75W 12V	75	220-240	50-60	12	50°	80°	-	252	44	33	1 24369
MINILED 75W 24V	75	220-240	50-60	24	50°	80°	-	252	44	33	1 24371
MINILED 90W 24V	90	220-240	50-60	24	50°	80°	-	252	44	33	1 24377