

## KATALOGOVÝ LIST - PATICE PLCC SMD

<b>PLCC20 SMD</b>	LCC PLCC SMD Socket 20Pole Sn PKU=37
<b>PLCC28 SMD</b>	LCC PLCC SMD Socket 28Pole Sn PKU=32
<b>PLCC32 SMD</b>	LCC PLCC SMD Socket 32Pole Sn PKU=28
<b>PLCC44 SMD</b>	LCC PLCC SMD Socket 44Pole Sn PKU=25
<b>PLCC52 SMD</b>	LCC PLCC SMD Socket 52Pole Sn PKU=20
<b>PLCC68 SMD</b>	LCC PLCC SMD Socket 68Pole Sn PKU=19
<b>PLCC84 SMD</b>	LCC PLCC SMD Socket 84Pole Sn PKU=16

## KATALOGOVÝ LIST - PATICE PLCC SMD

### Features

- RoHS compliant

### Technical Specifications

Insulator:	P.P.S. Ryton R-4, UL94V-0
Contact Material:	Phosphor Bronze
Surface Contact:	Tin Alloy
Rated Current:	1A
Electrical Strength:	500V <sub>ms</sub>
Insulation Resistance, Min.:	1000MΩ
Contact Resistance, Max.:	30mΩ
Temperature Range:	-65...+125°C

### Dimensions

PLCC_	A <sup>±0,2</sup> [mm]	B <sup>±0,2</sup> [mm]	C <sup>±0,2</sup> [mm]	D <sup>±0,2</sup> [mm]	E <sup>±0,2</sup> [mm]	F <sup>±0,2</sup> [mm]
<b>20SMD</b>	15,24	15,24	5,08	5,08	16,70	12,70
<b>28SMD</b>	17,78	17,78	7,62	7,62	20,30	15,24
<b>32SMD</b>			7,62	7,62	22,50	17,78
<b>44SMD</b>			12,70	12,70	27,50	20,32
<b>52SMD</b>	25,40	25,40	15,24	15,24	31,10	22,86
<b>68SMD</b>	30,82	30,82	20,32	20,32	38,30	27,94
<b>84SMD</b>	35,90	35,90	25,40	25,40	45,50	33,02

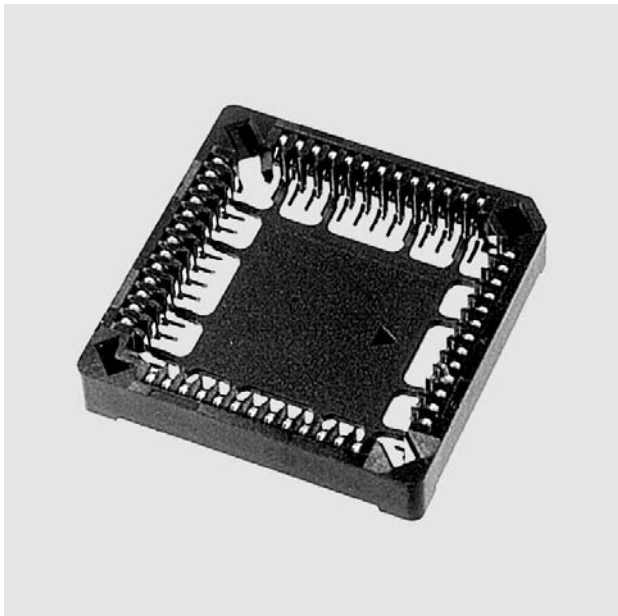
### Terms of Delivery

Minimum order quantity: 1 PKU = 10 pieces

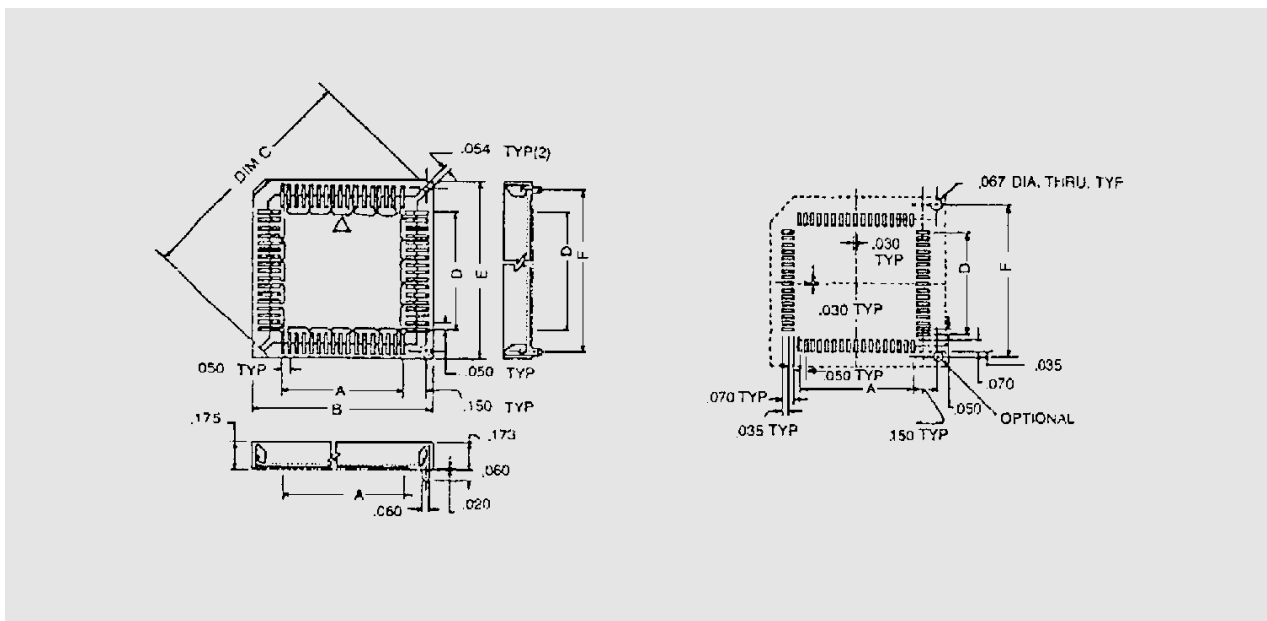
### Manufacturer

Various

**KATALOGOVÝ LIST - PATICE PLCC SMD**



**PLCC SMD**



**PLCC SMD**