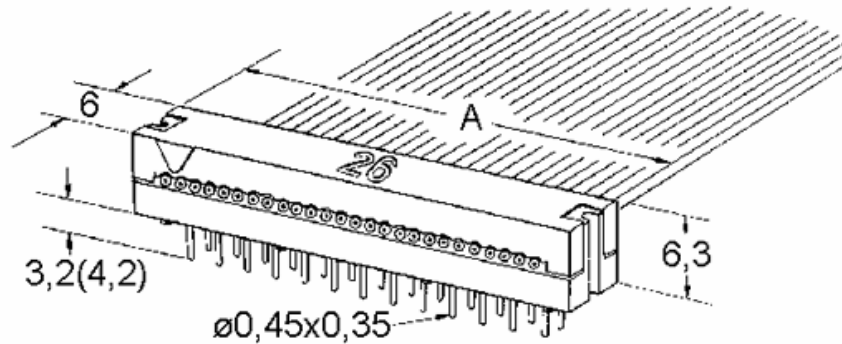


LPV_P3.2



Technical Specifications		
Insulation Shell:	Glass Fiber Polyamide (UL94 V-0) Grey, RAL7035	
Contact Material:	Phosphor Bronze	
Contact Surface:	Tin-plated	
Rated Current:	1A	
Test Voltage:	1000V _{eff.}	
Temperature Range:	-65...+150°C	
Dimensions		
Part Nr.	Nr. of Poles	A [mm]
LPV10P3,2	10	17,5
LPV14P3,2	14	22,6
LPV16P3,2	16	25,1
LPV20P3,2	20	30,2
LPV26P3,2	26	37,9
LPV34P3,2	34	48,1
LPV40P3,2	40	55,7
LPV50P3,2	50	68,5
LPV60P3,2	60	81,2