



description of basic version

push button switch

single pole NO-switch
push button, socket and housing PA black
contact pairing Ag/Ag
terminals plug-in and solder: silver-plated
PCB: tin-plated

contact type: delamination contact

life endurance mech: 500.000
electr: 50.000

actuating force: about 1N
travel: 2,5 mm

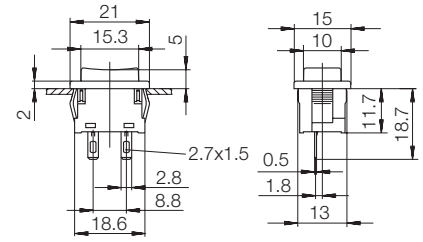
suitable for appliances
of protection class II



solder terminal



1846.0201



panel thickr	length of cut-out	width of cut-out
0,75 - 1,25	19,2 - 0,1	12,9 + 0,1
1,25 - 2	19,4 - 0,1	12,9 + 0,1
2 - 3	19,8 - 0,1	12,9 + 0,1

snap-on fixing for panel thicknesses of 0,75 ... 3,0 mm

electrical rating and approval marks

printed:

2(1)/250~ 5 E4 T 85 μ

not printed:

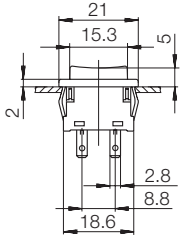
switching function

NO-switch

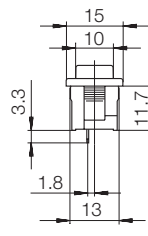
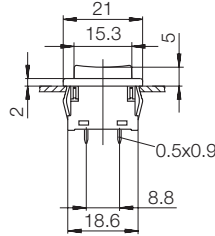


terminal versions

plug-in terminal 2,8

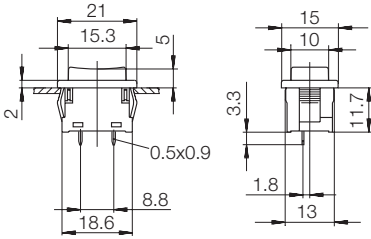
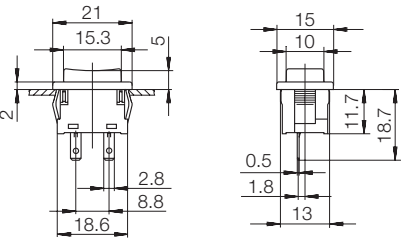


pcb terminal



remarks



product No	kind of terminal	Po	S	F	tolerances to basic model
0201 x	solder				
0202	solder				push button yellow
0204	solder				with stronger spring without power and type marking actuating force: 4,00 N
2201 x	pcb				
2251 x	pcb				contact pairing Au/Au life endurance electr: 500.000 30mA 12V 5 E 4 T 85 μ
2252	pcb				push button orange similar to RAL 2000 contact pairing Au/Au life endurance electr: 500.000 30mA 12V 5 E 4 T 85 μ
3201 x	P-I 2,8x0,5				
3204	P-I 2,8x0,5				push button and housing white