



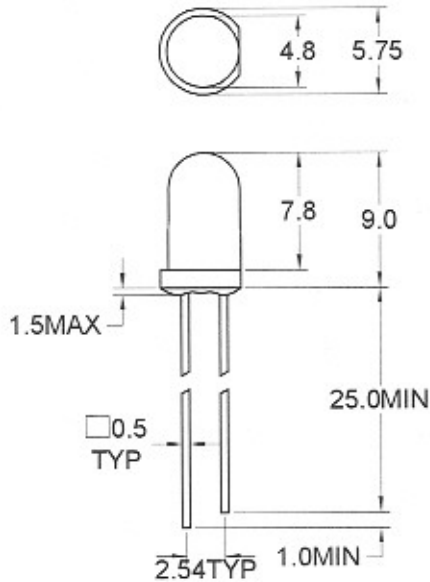
LIGITEK

SUPER BRIGHT ROUND TYPE LED LAMPS

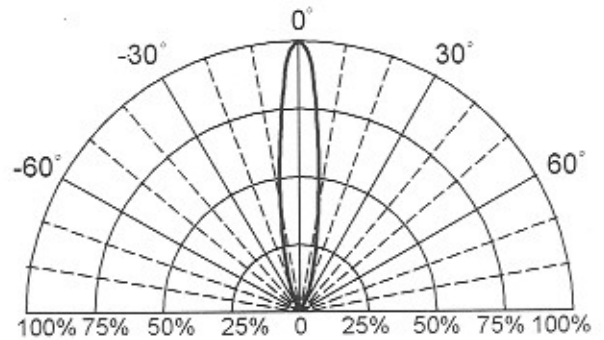
LVX13233

SERIES

Package Dimension



Directivity Radiation



Note: 1. All dimension are in millimeter tolerance is $\pm 0.25\text{mm}$ unless otherwise noted
2. Specifications are subject to change without notice

• Part Selection And Application Information (Ratings At 25°C Ambient)

PART NO	MATERIAL	COLOR		Peak wave length λ_{Pnm}	Dominant wave length λ_{Dnm}	Spectral halfwidth $\Delta \lambda_{nm}$	Forward voltage @20mA(v)		Luminous intensity @20mA(mcd)		Viewing angle $2\theta_{1/2}$ (deg)
		Emitted	Lens				Min.	Max.	Min.	Typ.	
LSR13233	GaAlAs	Red	Water Clear	660	---	20	1.5	2.4	450	720	18
LHR13233	GaAlAs	Red	Water Clear	660	---	20	1.5	2.4	550	900	18
LUR13233	GaAlAs	Red	Water Clear	660	---	20	1.5	2.4	1100	2400	18
LVG13233	GaP	Green	Water Clear	565	---	30	1.7	2.6	350	600	18
LUG13233	AlGaInP	Green	Water Clear	---	574	20	1.7	2.6	550	900	18
LUY13233	AlGaInP	Yellow	Water Clear	---	595	15	1.7	2.6	1100	2400	18
LUE13233	AlGaInP	Orange	Water Clear	---	620	17	1.7	2.6	1500	2700	18

• Absolute Maximun Rating (Ta=25°C)

PARAMETER	RED			GREEN		YELLOW		ORANGE	UNIT	REMARK
	SR	HR	UR	UG	VG		UY	UE		
Forward Current	30	30	40	30	30		50	50	mA	
Peak Forward Current Duty 1/10@10KHz	100	100	120	120	120		90	90	mA	
Power Dissipation	100		120	100		120		120	mW	
Reverse Current @5v	10			10		10		10	μA	
Operating Temperature	-40°C TO +85°C									
Storage Temperature	-40°C TO +100°C									

Lead Soldering Temperature 260°C For 5 Seconds(2.0mm From Body)

文件編號: QW0905-LVX13233B

版本: E

生效日期: 26 - Aug - 2002