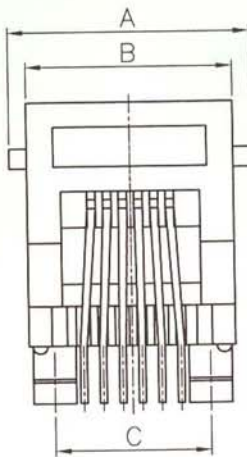
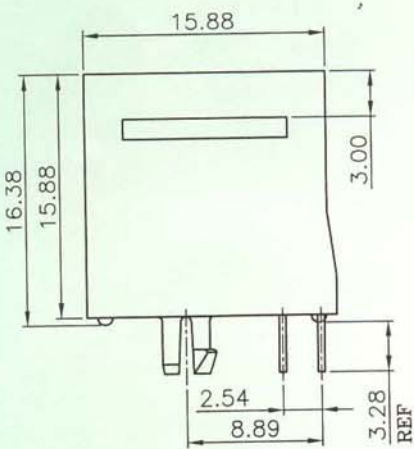
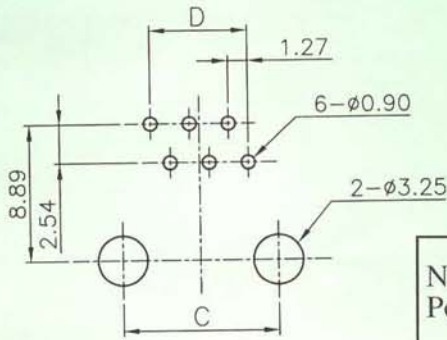
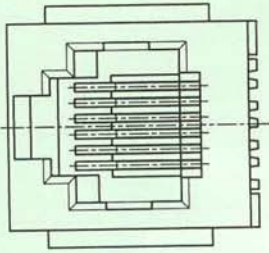
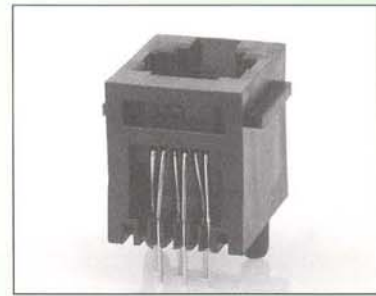


PCB LAYOUT/TOP VIEW



No. of Positions	Dimensions			
	A	B	C	D
4	13.97	11.43	7.62	3.81
6	15.75	13.46	10.16	6.35
8	17.76	15.36	11.43	8.89



Materials

- **Plastic Housing** : Engineering Thermoplastic
Flammability Rating UL 94V-0
- **Contacts** : Phosphor Bronze, 0.35mm Thickness
- **Plating** : Gold Plating Over Nickel in Contact.
Tin Plating Over Nickel in Solder Area.

Ordering Information

3002 -

Series No.
F = Flanged
L = Flangeless
No. Of Positions
4, 6 or 8

No. Of Contacts
2, 4, 6 or 8

Gold Plating Options
0 = Gold Flash
1 = 6μ"
2 = 15μ"
3 = 30μ"
4 = 50μ"