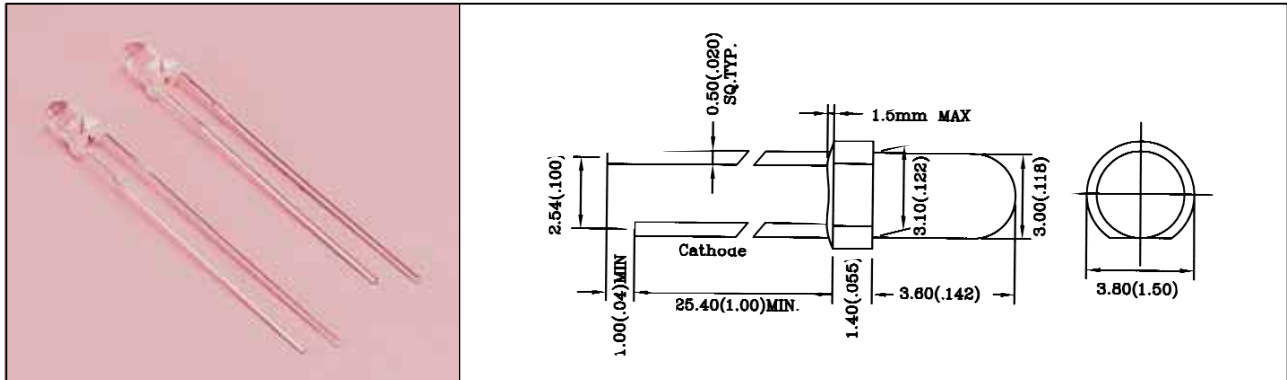
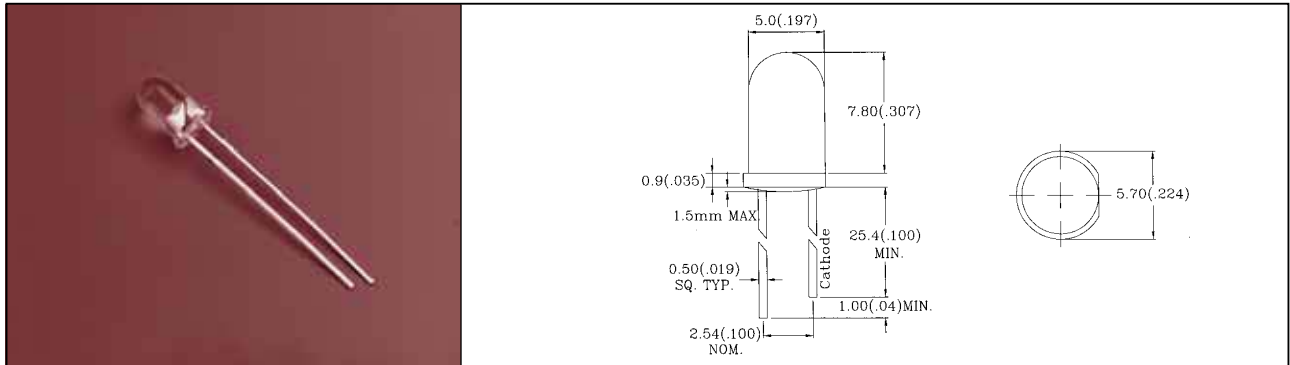


**L-3U47XXX** 3.0mm Dia LED LAMP - UV LED , BLUE, WHITE & Ultra GREEN



Part No.	Chip		Lens Color	Wave Length $\lambda$ p(nm)	Electro-Optical Characteristics			View Angle (deg)
	Raw Material	Emitted Color			Vf(V)20mA		lv(mcd)20mA	
					Typ.	Max.	Typ.	
L-3U47PUIC	GaInN	Purple	Water Clear	400	3.5	4.0	250	25
L-3U47LWC-T	GaInN	White	Water Clear	/	3.5	4.0	7000	25
L-3U47VW5C	GaInN	White	Water Clear	/	3.5	4.0	6000	25
L-3U47UW5C	GaInN	White	Water Clear	/	3.5	4.0	5000	25
L-3U47LBC-T	GaInN	Blue	Water Clear	470	3.5	4.0	4500	25
L-3U47VB5C	GaInN	Blue	Water Clear	470	3.5	4.0	4000	25
L-3U47UB5C	GaInN	Blue	Water Clear	470	3.5	4.0	2500	25
L-3U47LPG4C	GaInN	Ultra Green	Water Clear	525	3.7	4.0	2000	25
L-3U47SPG4C	GaInN	Ultra Green	Water Clear	505	3.5	4.0	2800	25

**L-5T47XX** 5.0mm Dia LED LAMP - UV LED , BLUE, WHITE & Ultra GREEN



Part No.	Chip		Lens Color	Wave Length $\lambda$ p(nm)	Electro-Optical Characteristics			View Angle (deg)
	Raw Material	Emitted Color			Vf(V)20mA		lv(mcd)20mA	
					Typ.	Max.	Typ.	
L-5T47PU1C-D2	GaInN	Purple	Water Clear	400	3.5	4.0	150	18
L-5T47LWC-T-D1	GaInN	White	Water Clear	/	3.5	4.0	8000	18
L-5T47VW5C-D1	GaInN	White	Water Clear	/	3.7	4.0	6500	18
L-5T47UW5C-D1	GaInN	White	Water Clear	/	3.7	4.0	4500	18
L-5T47LBC-T-D1	GaInN	Blue	Water Clear	470	3.5	4.0	6500	18
L-5T47VB5C-D1	GaInN	Blue	Water Clear	470	3.5	4.0	4800	18
L-5T47UB5C-D1	GaInN	Blue	Water Clear	470	3.5	4.0	3500	18
L-5T47LPG4C-D1	GaInN	Ultra Green	Water Clear	525	3.7	4.0	4000	18
L-5T47SPG4C-D1	GaInN	Ultra Green	Water Clear	505	3.7	4.0	4000	18

- 1.All dimension are in millimeters (inches).
- 2.Tolerance is  $\pm 0.25$  mm (0.01") unless otherwise specified.