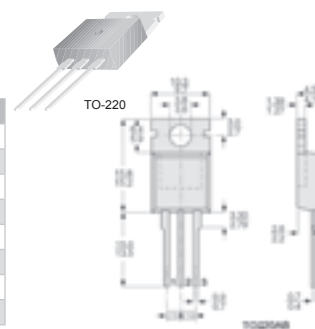


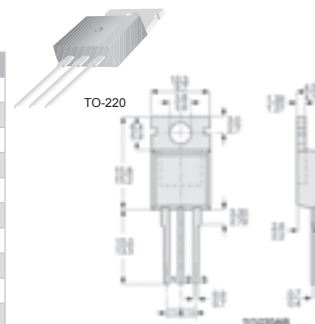
Tranzistory IGBT, řada IRG4B..., pouzdro TO220AB

Obj.č	TYP	U _{ce} [V]	I _{c,max} [A]	P _{tot} [W]	Min.ks	Cena	Popis
1525907	IRG4BC10KPBF	600	9	38	5	46,98	TO220AB
1525909	IRG4BC20UPBF	600	13	60	5	26,99	TO220AB
1525908	IRG4BC20SPBF	600	19	60	5	62,47	TO220AB
1525911	IRG4BC30UPBF	600	23	100	5	37,49	TO220AB
1520581	IRG4BC30KPBF	600	28	100	5	31,49	TO220AB
1525910	IRG4BC30SPBF	600	34	100	5	37,49	TO220AB
1525913	IRG4BC40UPBF	600	40	160	5	49,98	TO220AB
1525912	IRG4BC40SPBF	600	60	160	5	43,98	TO220AB



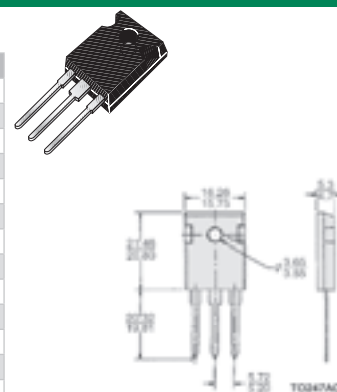
Tranzistory IGBT, řada IRG4B...D (s FRED), pouzdro TO220AB

Obj.č	TYP	U _{ce} [V]	I _{c,max} [A]	P _{tot} [W]	Min.ks	Cena	Popis
1525915	IRG4BC10UDPBF	600	8.5	38	200	32,65	TO220AB
1525914	IRG4BC10KDPBF	600	9	38	200	27,99	TO220AB
1525919	IRG4BC20UDPBF	600	13	60	5	35,99	TO220AB
1525916	IRG4BC15UDPBF	600	14	49	20	32,65	TO220AB
1525917	IRG4BC20FDPBF	600	16	60	5	31,99	TO220AB
1520582	IRG4BC20KDPBF	600	16	60	5	84,97	TO220AB
1525918	IRG4BC20SDPBF	600	19	60	200	53,65	TO220AB
1525921	IRG4BC30UDPBF	600	23	100	5	60,48	TO220AB
1525920	IRG4BC30KDPBF	600	28	100	5	68,47	TO220AB
1520583	IRG4BC30FDPBF	600	31	100	5	55,98	TO220AB



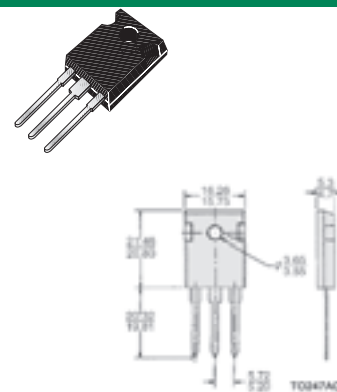
Tranzistory IGBT, řada IRG4P..., pouzdro TO247AC

Obj.č.	TYP	U _{ce} [V]	I _{c,max} [A]	P _{tot} [W]	Min.ks	Cena	Popis
1525922	IRG4PC30FPBF	600	31	100	150	46,65	600V 31A 100W TO247AC
1525924	IRG4PC30WPBF	600	23	100	100	46,65	600V 23A 100W TO247AC
1525925	IRG4PC40FPBF	600	49	160	100	67,64	600V 49A 160W TO247AC
1520584	IRG4PC40UPBF	600	40	160	1	124,95	600V 40A 160W TO247AC
1525926	IRG4PC40WPBF	600	40	160	5	59,98	600V 40A 160W TO247AC
1525927	IRG4PC50FPBF	600	70	200	100	92,96	600V 70A 200W TO247AC
1525928	IRG4PC50UPBF	600	55	200	5	87,96	600V 55A 200W TO247AC
1520585	IRG4PC50WPBF	600	55	200	5	94,96	600V 55A 200W TO247AC
1520586	IRG4PF50WPBF	900	51	200	5	84,97	900V 51A 200W TO 247AC
1525929	IRG4PH30KPBF	600	55	200	5	44,98	600V 55A 200W TO247AC
1525930	IRG4PH40UPBF	1200	41	160	5	68,97	1200V 41A 160W TO247AC
1525931	IRG4PH50SPBF	1200	57	200	5	97,46	1200V 57A 200W TO247AC
1525932	IRG4PH50UPBF	1200	45	200	5	97,46	1200V 45A 200W TO247AC



Tranzistory IGBT, řada IRG4P... D (s FRED), pouzdro TO247AC

Obj.č	TYP	U _{ce} [V]	I _{c,max} [A]	P _{tot} [W]	Min.ks	Cena	Popis
1525942	IRG4PH20KDPBF	1200	11	60	100	88,63	TO247AC
1525935	IRG4PC30UDPBF	600	23	100	5	59,98	TO247AC
1525934	IRG4PC30KDPBF	600	28	100	5	62,47	TO247AC
1520587	IRG4PH40KDPBF	1200	30	160	1	89,96	TO247AC
1525933	IRG4PC30FDPBF	600	31	100	5	54,98	TO247AC
1525938	IRG4PC40UDPBF	600	40	160	5	119,95	TO247AC
1525943	IRG4PH40UDPBF	1200	41	160	1	90,46	TO247AC
1525937	IRG4PC40KDPBF	600	42	160	5	74,97	TO247AC
1520588	IRG4PH50KDPBF	1200	45	200	1	137,45	TO247AC
1525936	IRG4PC40FDPBF	600	49	160	5	79,97	TO247AC
1525940	IRG4PC50KDPBF	600	52	200	1	104,96	TO247AC
1525941	IRG4PC50UDPBF	600	55	200	1	112,46	TO247AC
1525939	IRG4PC50FDPBF	600	70	200	1	119,95	TO247AC



» Velkoobchod

Máte dotaz? Kontaktujte Vašeho prodejce! Tel.: 222 712 421