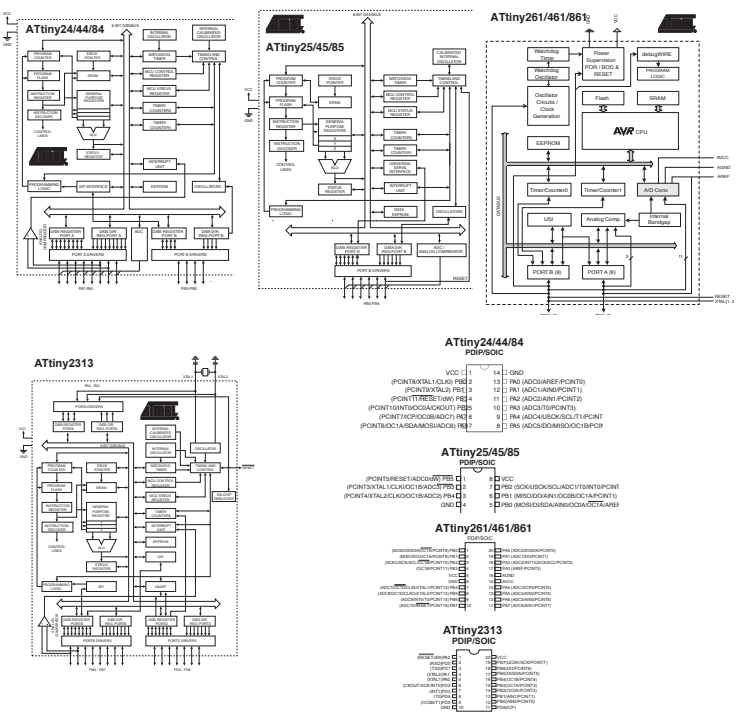


8mi bitové uP a uC IO řady ATtiny... ATMEL

Obj.č.	TYP	Min.ks	Cena	Popis
1521357	ATTINY26-16MU	1470	49,98	ISP-MC 5V 2K-Flash 16MHz MLF32
1521358	ATTINY26L-8MU	5	49,98	ISP-MC 2,7-5,5V 2K-Flash 8MHz MLF32
1521360	ATTINY2313-20PU	5	37,49	ISP-MC 5V 2K-Flash 20MHz DIP20
1526992	ATTINY13-20PU	5	28,49	ISP-MC 2,7-5,5V 1K-Flash 20MHz DIP8
1526993	ATTINY13V-10PU	5	24,99	ISP-MC 1,8-5,5V 1K-Flash 10MHz DIP8
1526994	ATTINY13-20SU	5	22,49	ISP-MC 2,7-5,5V 1K-Flash 20MHz SOIC8
1526995	ATTINY13V-10SU	5	22,49	ISP-MC 1,8-5,5V 1K-Flash 10MHz SOIC8
1526996	ATTINY25-20PU	5	33,49	ISP-MC 2,7-5,5V 2K-Flash 20MHz DIP8
1526997	ATTINY25-20SU	5	32,49	ISP-MC 2,7-5,5V 2K-Flash 20MHz SOIC8
1526998	ATTINY26-16PU	5	32,49	ISP-MC 5V 2K-Flash 16MHz DIP20
1526999	ATTINY26L-8PU	5	34,99	ISP-MC 2,7-5,5V 2K-Flash 8MHz DIP20
1527000	ATTINY26-16SU	5	38,98	ISP-MC 5V 2K-Flash 16MHz SOIC20
1527001	ATTINY26L-8SU	5	44,98	ISP-MC 2,7-5,5V 2K-Flash 8MHz SOIC20
1527002	ATTINY45-20PU	5	44,98	ISP-MC 2,7-5,5V 4K-Flash 20MHz D
1527003	ATTINY45-20SU	5	42,48	ISP-MC 2,7-5,5V 4K-Flash 20MHz S
1527004	ATTINY2313-20SU	5	31,49	ISP-MC 5V 2K-Flash 20MHz SOIC20
1527697	ATTINY24-20PU	5	47,48	ISP-MC 2,7-5,5V 2K-Flash 20MHz D
1527698	ATTINY24-20SSU	5	40,98	ISP-MC 2,7-5,5V 2K-Flash 20MHz S
1527699	ATTINY44-20PU	5	45,48	ISP-MC 2,7-5,5V 4K-Flash 20MHz D
1527700	ATTINY44-20SU	1026	44,98	ISP-MC 2,7-5,5V 4K-Flash 20MHz S
1527701	ATTINY84-20PU	750	59,98	ISP-MC 2,7-5,5V 8K-Flash 20MHz D
1527702	ATTINY85-20PU	5	57,48	ISP-MC 2,7-5,5V 8K-Flash 20MHz D
1527703	ATTINY85-20SU	5	54,98	ISP-MC 2,7-5,5V 8K-Flash 20MHz S
1529988	ATTINY261V-10PU	5	58,98	ISP-MC 1,8-5,5V 2K-Flash 10MHz D
1529989	ATTINY261V-10SU	5	58,98	ISP-MC 1,8-5,5V 2K-Flash 10MHz S
1529990	ATTINY461V-10PU	5	58,98	ISP-MC 1,8-5,5V 4K-Flash 10MHz D
1529991	ATTINY461V-10SU	5	47,48	ISP-MC 1,8-5,5V 4K-Flash 10MHz S
1529992	ATTINY861V-10PU	5	79,97	ISP-MC 1,8-5,5V 8K-Flash 10MHz D
1529993	ATTINY861V-10SU	5	84,97	ISP-MC 1,8-5,5V 8K-Flash 10MHz S



8mi - bitové mikrořadiče PIC

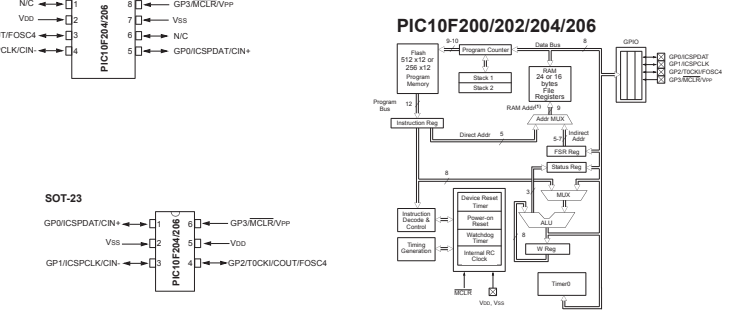
8mi bitové uP a uC IO řady PIC10F2...

PDIP

SOT-23

PDIP

Obj.č.	TYP	Min.ks	Cena	Popis
1521391	PIC10F200-I/P	5	20,49	256x12 Flash 4I/O 4MHz DIP8
1521392	PIC10F200T-I/OT	3000	18,99	256x12 Flash 4I/O 4MHz SOT23-6
1521393	PIC10F202-I/P	5	22,49	512x12 Flash 4I/O 4MHz DIP8
1521394	PIC10F202T-I/OT	10	20,49	512x12 Flash 4I/O 4MHz SOT23-6
1521395	PIC10F204-I/P	5	22,49	256x12 Flash 4I/O 4MHz DIP8
1521396	PIC10F204T-I/OT	3000	20,49	256x12 Flash 4I/O 4MHz SOT23-6
1521397	PIC10F206-I/P	5	23,49	512x12 Flash 4I/O 4MHz DIP8
1521398	PIC10F206T-I/OT	10	22,49	512x12 Flash 4I/O 4MHz SOT23-6



8mi bitové uP a uC IO řady PIC12x5...

Obj.č.	TYP	Min.ks	Cena	Popis
1512485	PIC12C508A-04/P	5	39,48	512x12 OTP 6I/O 4MHz DIP8
1512486	PIC12C508A-04/SM	5	39,48	512x12 OTP 6I/O 4MHz SO8
1512488	PIC12C509A-04/P	5	40,98	1Kx12 OTP 6I/O 4MHz DIP8
1512489	PIC12C509A-04/SM	5	40,98	1Kx12 OTP 6I/O 4MHz SO8
1512497	PIC12CE518-04/P	5	47,98	512x12 OTP +EEPROM 4MHz DIP8
1512498	PIC12CE518-04/SM	180	50,98	512x12 OTP +EEPROM 4MHz SO8
1512500	PIC12CE519-04/P	120	52,48	1Kx12 OTP +EEPROM 4MHz DIP8
1512501	PIC12CE519-04/SM	5	55,48	1Kx12 OTP +EEPROM 4MHz SO8
1521399	PIC12C508A-04/SN	5	40,98	512x12 OTP 6I/O 4MHz SO8 150mil
1527005	PIC12F508-I/P	5	24,49	512x12 Flash 6I/O 4MHz DIP8
1527006	PIC12F508-I/SN	5	23,49	512x12 Flash 6I/O 4MHz SO8 150mil
1527007	PIC12F509-I/P	5	26,49	1Kx12 Flash 6I/O 4MHz DIP8
1527008	PIC12F509-I/SN	5	24,49	1Kx12 Flash 6I/O 4MHz SO8 150mil
1529994	PIC12F508-E/P	5	27,49	512x12 Flash 6I/O 4MHz DIP8
1530235	PIC12F508-E/SN	5	25,99	512x12 Flash 6I/O 4MHz SO8 150mi

