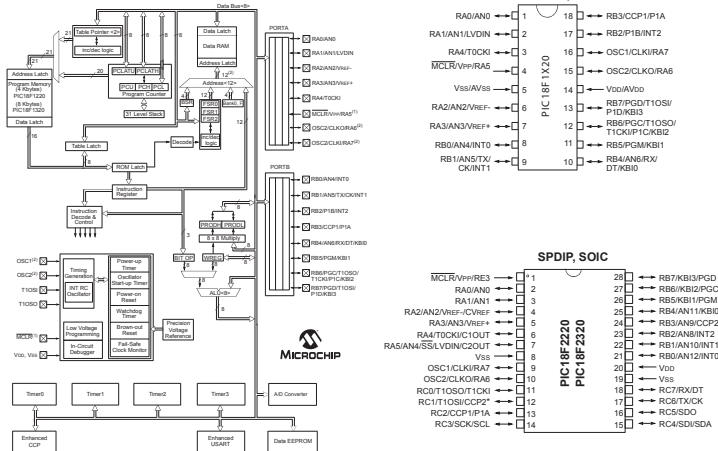


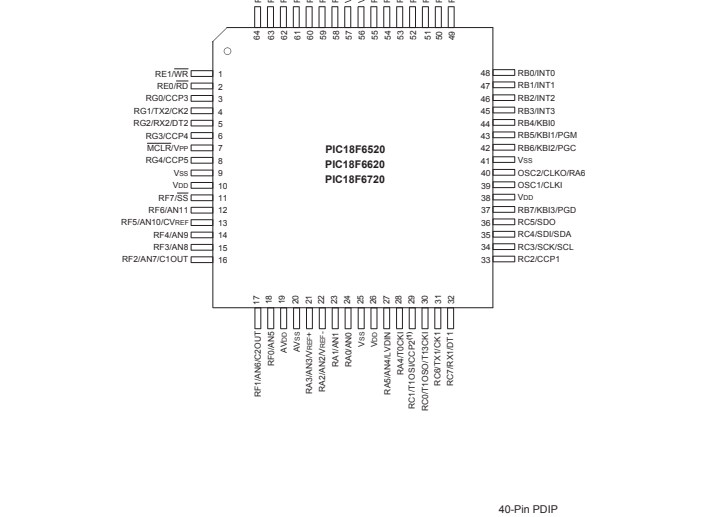
8mi bitové μ P a μ C IO řady PIC18...

Obj.č.	TYP	Min.ks	Cena	Popis
1515848	PIC18C452-I/L	1	268,89	16Kx16 OTP 34I/O 40MHz PLCC44
1515849	PIC18C452-I/P	1	242,40	16Kx16 OTP 34I/O 40MHz DIP40
1517422	PIC18F242-I/SP	1	194,92	8Kx16 Flash 23I/O 40MHz SDIP28
1517423	PIC18F242-I/SO	1	194,92	8Kx16 Flash 23I/O 40MHz SO28
1517424	PIC18C252-I/SP	1	229,41	16Kx16 OTP 23I/O 40MHz SDIP28
1517427	PIC18F252-I/SP	1	211,92	16Kx16 Flash 23I/O 40MHz SDIP28
1517428	PIC18F252-I/SO	1	211,92	16Kx16 Flash 23I/O 40MHz SO28
1517429	PIC18F258-I/SO	1	253,90	16Kx16 Flash 23I/O CAN 40MHz SO28
1517431	PIC18F442-I/P	1	216,91	8Kx16 Flash 34I/O 40MHz DIP40
1517434	PIC18F248-I/SP	1	233,41	8Kx16 Flash 23I/O CAN 40MHz SDIP
1517435	PIC18F248-I/SO	1	233,41	8Kx16 Flash 23I/O CAN 40MHz SO28
1517437	PIC18F452-I/P	1	234,91	16Kx16 Flash 34I/O 40MHz DIP40
1517439	PIC18F448-I/P	1	239,90	8Kx16 Flash 34I/O CAN 40MHz DIP40
1517440	PIC18F442-I/L	1	254,90	8Kx16 Flash 34I/O 40MHz PLCC44
1517441	PIC18F448-I/L	1	247,23	8Kx16 Flash 34I/O CAN 40MHz PLCC44
1517443	PIC18F258-I/SP	1	253,90	16Kx16 Flash 23I/O CAN 40MHz SDIP28
1517444	PIC18F452-I/L	1	274,89	16Kx16 Flash 34I/O 40MHz PLCC44
1518622	PIC18F458-I/P	1	258,90	16Kx16 Flash 34I/O CAN 40MHz DIP40
1518623	PIC18F458-I/L	1	294,88	16Kx16 Flash 34I/O CAN 40MHz PLCC44
1518628	PIC18F6720-I/PT	1	442,32	64Kx16 Flash 52I/O 40MHz TQFP64
1518629	PIC18LF6720-I/PT	1	464,31	64Kx16 Flash 52I/O 40MHz TQFP64
1518630	PIC18F8620-I/PT	1	379,85	32Kx16 Flash 68I/O 40MHz TQFP80
1518632	PIC18F8720-I/PT	1	451,32	64Kx16 Flash 68I/O 40MHz TQFP80
1518633	PIC18LF8720-I/PT	1	471,81	64Kx16 Flash 68I/O 40MHz TQFP80
1521410	PIC18F1220-I/P	1	95,46	2Kx16 Flash 16I/O 40MHz DIP18
1521411	PIC18F1220-I/SO	1	92,96	2Kx16 Flash 16I/O 40MHz SO18
1521412	PIC18F1320-I/P	1	105,96	4Kx16 Flash 16I/O 40MHz DIP18
1521413	PIC18F1320-I/SO	1	102,46	4Kx16 Flash 16I/O 40MHz SO18
1521414	PIC18F2220-I/SP	1	184,93	2Kx16 Flash 25I/O 40MHz SDIP28
1521415	PIC18F2220-I/SO	1	184,93	2Kx16 Flash 25I/O 40MHz SO28
1521416	PIC18F2320-I/SP	1	199,92	4Kx16 Flash 25I/O 40MHz SDIP28
1521417	PIC18F2320-I/SO	1	199,92	4Kx16 Flash 25I/O 40MHz SO28
1527026	PIC18F2455-I/SP	1	162,93	12Kx16 Flash 23I/O 48MHz SDIP28
1527027	PIC18F2455-I/SO	1	156,94	12Kx16 Flash 23I/O 48MHz SO28
1527028	PIC18F2510-I/SP	1	146,44	16Kx16 Flash 25I/O 40MHz SDIP28
1527029	PIC18F2510-I/SO	1	140,44	16Kx16 Flash 25I/O 40MHz SO28
1527030	PIC18F2515-I/SP	1	167,43	24Kx16 Flash 25I/O 40MHz SDIP28
1527031	PIC18F2515-I/SO	1	161,94	24Kx16 Flash 25I/O 40MHz SO28
1527032	PIC18F2550-I/SP	1	170,93	16Kx16 Flash 23I/O 48MHz SDIP28
1527033	PIC18F2550-I/SO	1	162,43	16Kx16 Flash 23I/O 48MHz SO28
1527034	PIC18F4510-I/P	1	152,94	16Kx16 Flash 36I/O 40MHz DIP40
1527035	PIC18F4510-I/PT	160	150,44	16Kx16 Flash 36I/O 40MHz TQFP44
1527036	PIC18F4515-I/P	1	173,43	24Kx16 Flash 36I/O 40MHz DIP40
1527037	PIC18F4515-I/PT	160	171,43	24Kx16 Flash 36I/O 40MHz TQFP44
1527038	PIC18F4550-I/P	1	177,43	16Kx16 Flash 34I/O 48MHz DIP40
1527039	PIC18F4550-I/PT	160	171,93	16Kx16 Flash 34I/O 48MHz TQFP44
1527040	PIC18F6390-I/PT	160	111,96	4Kx16 Flash 50I/O 40MHz TQFP64
1527041	PIC18F6490-I/PT	160	125,95	8Kx16 Flash 50I/O 40MHz TQFP64
1527042	PIC18F8390-I/PT	119	132,95	4Kx16 Flash 66I/O 40MHz TQFP80
1527043	PIC18F8490-I/PT	119	146,94	8Kx16 Flash 66I/O 40MHz TQFP80
1529875	PIC18F2680-I/SO	1	238,40	32Kx16 Flash 25I/O 40MHz SO28
1530018	PIC18F2480-I/SP	1	182,43	8Kx16 Flash 25I/O 40MHz SDIP28
1530019	PIC18F2520-I/SP	1	156,94	16Kx16 Flash 25I/O 40MHz SDIP28
1530020	PIC18F2580-I/SO	1	196,42	16Kx16 Flash 25I/O 40MHz SO28
1530021	PIC18F2585-I/SP	1	231,91	24Kx16 Flash 28I/O 40MHz SDIP28
1530022	PIC18F4420-I/PT	160	138,94	8Kx16 Flash 36I/O 40MHz TQFP44
1530023	PIC18F4480-I/PT	160	184,93	8Kx16 Flash 36I/O 40MHz TQFP44
1530024	PIC18F4525-I/PT	160	179,93	24Kx16 Flash 36I/O 40MHz TQFP44
1530025	PIC18F4580-I/P	1	210,42	16Kx16 Flash 36I/O 40MHz DIP40
1530026	PIC18F4580-I/PT	160	207,42	16Kx16 Flash 36I/O 40MHz TQFP44
1530027	PIC18F4585-I/P	1	239,90	24Kx16 Flash 36I/O 40MHz DIP40
1530028	PIC18F4585-I/PT	160	234,91	24Kx16 Flash 36I/O 40MHz TQFP44
1530029	PIC18F4680-I/PT	160	247,40	32Kx16 Flash 36I/O 40MHz TQFP44
1530030	PIC18F6510-I/PT	160	107,46	16Kx16 Flash 50I/O 40MHz TQFP64
1530031	PIC18F6585-I/L	1	327,87	24Kx16 Flash 53I/O 40MHz PLCC68
1530032	PIC18F6585-I/PT	160	307,38	24Kx16 Flash 53I/O 40MHz TQFP64
1530033	PIC18F6610-I/PT	160	117,45	32Kx16 Flash 50I/O 40MHz TQFP64
1530034	PIC18F6622-I/PT	160	242,40	32Kx16 Flash 54I/O 40MHz TQFP64
1530035	PIC18F8585-I/PT	119	340,36	24Kx16 Flash 69I/O 40MHz TQFP80
1530036	PIC18F8622-I/PT	119	261,40	32Kx16 Flash 70I/O 40MHz TQFP80
1530037	PIC18F8722-I/PT	119	342,86	64Kx16 Flash 70I/O 40MHz TQFP80
1530247	PIC18F2420-I/SP	1	134,95	8Kx16 Flash 25I/O 40MHz SDIP28
1530248	PIC18F2420-I/SO	1	129,95	8Kx16 Flash 25I/O 40MHz SO28
1530249	PIC18F2450-I/SP	1	110,96	8Kx16 Flash 23I/O 48MHz SDIP28
1530250	PIC18F2450-I/SO	1	104,46	8Kx16 Flash 23I/O 48MHz SO28
1530251	PIC18F2480-I/SO	1	175,93	8Kx16 Flash 25I/O 40MHz SO28
1530252	PIC18F2520-I/SO	1	150,44	16Kx16 Flash 25I/O 40MHz SO28

PIC18F1220/1320 with nanoWatt Technology



64-Pin TQFP



28-Pin PDIP, SOIC



40-Pin PDIP

Obj.č.	TYP	Min.ks	Cena	Popis
1530253	PIC18F2580-I/SP	1	203,92	16Kx16 Flash 25I/O 40MHz SDIP28
1530254	PIC18F2585-I/SO	1	225,91	24Kx16 Flash 28I/O 40MHz SO28
1530255	PIC18F2680-I/SP	1	244,90	32Kx16 Flash 25I/O 40MHz SDIP28
1530256	PIC18F4420-I/P	1	141,94	8Kx16 Flash 36I/O 40MHz DIP40
1530257	PIC18F4480-I/P	1	188,92	8Kx16 Flash 36I/O 40MHz DIP40
1530258	PIC18F4520-I/P	1	164,93	16Kx16 Flash 36I/O 40MHz DIP40
1530259	PIC18F4520-I/PT	160	161,94	16Kx16 Flash 36I/O 40MHz TQFP44
1530260	PIC18F4525-I/P	1	184,93	24Kx16 Flash 36I/O 40MHz DIP40
1530261	PIC18F4680-I/P	1	252,40	32Kx16 Flash 36I/O 40MHz DIP40
1530262	PIC18F6722-I/PT	1	324,37	64Kx16 Flash 54I/O 40MHz TQFP64
1530329	PIC18LF4620-I/ML	1	219,41	32Kx16 Flash 36I/O 40MHz QFN44