

Periferní obvody UART

Obj.č.	TYP	Min.ks	Cena	Popis
1510007	XR68C681CP40	1	184,93	CMOS DUART FIFO časovač DIP40
1510008	XR68C681CJ44	1	169,93	CMOS DUART FIFO časovač PLCC44
1510009	XR88C681CP40	1	159,94	CMOS DUART FIFO časovač DIP40
1510010	XR88C681CJ44	1	174,93	CMOS DUART FIFO časovač PLCC44
1510011	XR82C684CJ44	1	302,38	CMOS QUART 68/88-Mode PLCC44
1527085	ST16C550CP40	5	77,47	1xUART+16B-FIFO 1,5Mb/s DIP40
1527086	ST16C552CJ68	1	147,44	2xUART+16B-FIFO 1,5Mb/s PLCC68
1527087	ST16C554DCJ68	1	289,88	4xUART+16B-FIFO 1,5Mb/s PLCC68
1527088	ST16C650ACJ44	1	179,93	1xUART+32B-FIFO 3,125Mb/s PLCC44

Obj.č.	TYP	Min.ks	Cena	Popis
1527089	ST16C654CJ68	1	379,85	4xUART+64B-FIFO 1,5Mb/s PLCC68
1527090	XR16C850CJ	1	264,89	1xUART+128B-FIFO 2Mb/s PLCC44
1527091	XR16C854CJ	95	647,24	4xUART+128B-FIFO 2Mb/s PLCC68
1527092	XR16C2850CJ	1	332,37	2xUART+128B-FIFO 6,25Mb/s PLCC44
1527093	XR16L788CQ	66	807,01	8xUART+64B-FIFO 6,25Mb/s QFP100
1527094	XR16L2750CJ	1	182,43	2xUART+64B-FIFO 6,25Mb/s PLCC44
1527721	XR17D152CM	90	524,79	2xUART-PCI+64B-FIFO 6,25Mb/s TQF
1527722	XR17D154CV	60	709,72	4xUART-PCI+64B-FIFO 6,25Mb/s LQF
1527723	XR17D158CV	60	1239,50	8xUART-PCI+64B-FIFO 6,25Mb/s LQF

Periferní obvody - Digitální izolátory

Obj.č.	TYP	Min.ks	Cena	Popis
1521465	ADUM1400ARWZ	1	102,46	Dig. izol. 4xCh 2,5kV 1MBd SOL16
1521467	ADUM1400CRWZ	1	209,92	Dig. izol. 4xCh 2,5kV 100MBd SOL16
1527827	ADUM1300ARWZ	1	82,47	Dig. Isol. 3xCh 2,5kV 1MBd SOL16
1527828	ADUM1300CRWZ	1	129,95	Dig. Isol. 3xCh 2,5kV 100MBd SOL16
1527829	ADUM1402ARWZ	1	97,46	Dig. Isol. 4xCh 2,5kV 1MBd SOL16
1527830	ADUM1402CRWZ	1	194,92	Dig. Isol. 4xCh 2,5kV 100MBd SOL16
1527831	ADUM2400ARWZ	1	142,44	Dig. Isol. 4xCh 5kV 1MBd SOL16

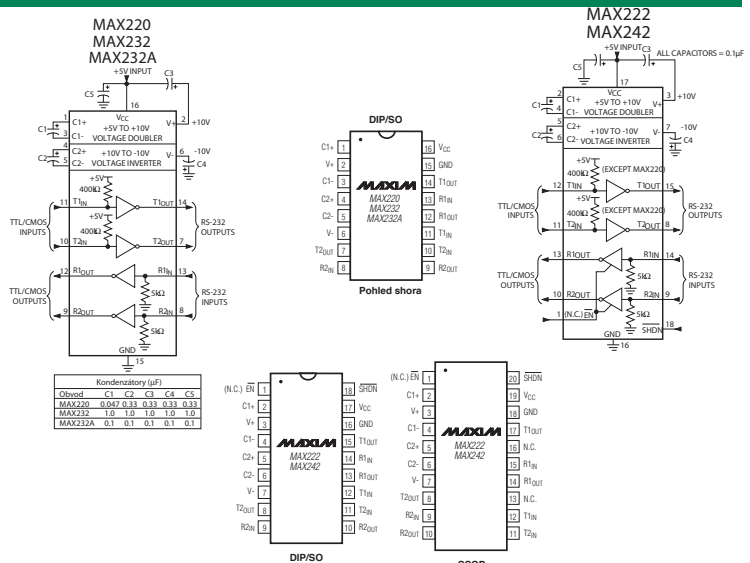
Obj.č.	TYP	Min.ks	Cena	Popis
1527832	ADUM2400CRWZ	47	304,88	Dig. Isol. 4xCh 5kV 90MBd SOL16
1527833	ADUM2401ARWZ	1	155,44	Dig. Isol. 4xCh 5kV 1MBd SOL16
1527834	ADUM2401CRWZ	47	304,88	Dig. Isol. 4xCh 5kV 90MBd SOL16
1527835	ADUM2402ARWZ	1	164,93	Dig. Isol. 4xCh 5kV 1MBd SOL16
1527836	ADUM2402CRWZ	47	302,38	Dig. Isol. 4xCh 5kV 90MBd SOL16
1530931	ADUM1250ARZ	1	167,43	Dig. Isol. 2Ch lȳC 2,5kV 1MBd SO
1530932	ADUM1251ARZ	1	157,44	Dig. Isol. 2Ch lȳC 2,5kV 1MBd SO



Rozhraní RS232

Budiče sběrnice RS-232 řady MAX...

Obj.č.	TYP	Min.ks	Cena	Popis
1521640	MAX202ECSE+	5	28,49	RS232E 2xovl./přij. 15kV ESD SO16
1521643	MAX208CWG+	1	119,95	RS232E 4xovl./přij. 5V SOL24
1521644	MAX218CWP+	105	102,46	RS232E 2xDr./Rec. 1,8-4,2V SOL20
1521645	MAX222CWN+	1	102,46	RS232E 2xovl./přij. 5V SOL18
1521646	MAX230CPP+	1	177,43	RS232E 5xDr. 5V DIP16
1521647	MAX230CWP+	70	157,44	RS232E 5xovl. 5V SOL16
1521648	MAX232EPE+	5	47,48	RS232E 2xovl./přij. -40/+85°C DIP16
1521649	MAX232CWE+	5	23,99	RS232E 2xovl./přij. 5V SOL16
1521650	MAX232EWE+	5	47,48	RS232E 2xovl./přij. -40/+85°C SOL16
1521651	MAX232ACSE+	5	33,99	RS232E 2xovl./přij. 5V SO16
1521652	MAX232ACWE+	5	40,98	RS232E 2xovl./přij. 5V SOL16
1521653	MAX232ECPE+	5	35,49	RS232E 2xovl./přij. 15kV ESD DIP16
1521663	MAX321ECAE+	5	52,48	RS232E 1xovl./přij. 15kV ESD SSOP16
1521664	MAX3245ECAI+	1	169,93	RS232E 3xovl./5xprf. 15kV ESD SSOP28
1527738	MAX202CPE+	5	26,99	RS232E 2xDr./Rec. 5V DIP16
1527739	MAX202CSE+	5	27,99	RS232E 2xDr./Rec. 5V SO16
1527740	MAX202ECPE+	5	31,99	RS232E 2xDr./Rec. 15kV ESD DIP16
1527741	MAX202EEPE+	5	47,48	RS232E 2xDr./Rec. -40/+85°C DIP16
1527742	MAX202EESE+	5	37,49	RS232E 2xDr./Rec. -40/+85°C SO16
1527743	MAX202ECWE+	5	37,49	RS232E 2xDr./Rec. 15kV ESD SOL16
1527744	MAX207ECNG+	1	172,43	RS232E 5xDr./3xRec. 15kV ESD DIP
1527745	MAX207ECAG+	58	172,43	RS232E 5xDr./3xRec. 15kV ESD SSO
1527746	MAX208ECNG+	90	182,43	RS232E 4xDr./Rec. 15kV ESD DIP24
1527747	MAX214CPI+	56	199,92	RS232E Transc. Progr. 5V DIP28 6
1527748	MAX218CPP+	180	102,46	RS232E 2xDr./Rec. 1,8-4,2V DIP20
1527749	MAX220CPE+	1	99,96	RS232E 2xDr./Rec. 5V DIP16
1527750	MAX222CPN+	1	102,46	RS232E 2xDr./Rec. 5V DIP18
1527751	MAX225CWI+	50	419,83	RS232E 5xDr./Rec. 5V SOL28
1527752	MAX232CPE+	5	21,99	RS232E 2xDr./Rec. 5V DIP16
1527753	MAX232CSE+	5	20,49	RS232E 2xDr./Rec. 5V SO16
1527754	MAX232ACPE+	5	44,48	RS232E 2xDr./Rec. 5V DIP16
1527755	MAX232AEPE+	5	70,97	RS232E 2xDr./Rec. -40/+85°C DIP16
1527756	MAX232AEWE+	5	49,98	RS232E 2xDr./Rec. -40/+85°C SOL16
1527757	MAX232EEPE+	1	60,98	RS232E 2xDr./Rec. -40/+85°C DIP16
1527758	MAX232ECSE+	5	31,99	RS232E 2xDr./Rec. 15kV ESD SO16
1527759	MAX233CPP+	1	114,95	RS232E 2xDr./Rec. 5V DIP20
1527760	MAX233EPP+	1	184,93	RS232E 2xDr./Rec. -40/+85°C DIP20
1527761	MAX233ACWP+	1	167,43	RS232E 2xDr./Rec. 5V SOL20
1527763	MAX235CPG+	1	307,38	RS232E 5xDr./Rec. 5V DIP24 600mi
1527764	MAX238CNG+	1	62,97	RS232E 4xDr./Rec. 5V DIP24 300mi



Obj.č.	TYP	Min.ks	Cena	Popis
1527765	MAX250CPD+	1	142,44	RS232E 2xDr./Rec. isol. 5V DIP14
1527766	MAX250CSD+	1	127,45	RS232E 2xDr./Rec. isol. 5V SO14
1527767	MAX251CPD+	1	142,44	RS232E 2xDr./Rec. isol. 5V DIP14
1527768	MAX251CSD+	1	129,95	RS232E 2xDr./Rec. isol. 5V SO14
1527769	MAX3221EEAE+	5	58,98	RS232E 1xDr./Rec. -40/+85°C SSOP
1527770	MAX3222CPN+	5	92,46	RS232E 2xDr./Rec. 3-5,5V DIP18
1527771	MAX3223CPP+	1	94,96	RS232E 2xDr./Rec. 3-5,5V DIP20
1527772	MAX3223EEAP+	1	159,94	RS232E 2xDr./Rec. -40/+85°C SSOP
1527773	MAX3226ECAE+	5	67,47	RS232E Transc. 15kV ESD SSOP16
1527774	MAX3227EEAE+	5	83,97	RS232E 1xDr./Rec. -40/+85°C SSOP
1527775	MAX3232CPE+	1	68,97	RS232E 2xDr./Rec. 3-5,5V DIP16
1527776	MAX3232CSE+	1	45,98	RS232E 2xDr./Rec. 3-5,5V SO16
1527777	MAX3234EEAI+	1	267,39	RS232E 3xDr./5xRec. -40/+85°C SS
1530152	MAX234AEWP+	1	262,39	RS232E 2xDr./Rec. -40/+85°C SOL2
1530153	MAX3222ECPN+	5	77,47	RS232E 2xDr./Rec. 15kV ESD DIP18
1530154	MAX3222ECWN+	5	77,47	RS232E 2xDr./Rec. 15kV ESD SOL18
1530279	MAX232ECWE+	5	42,48	RS232E 2xDr./Rec. 15kV ESD SOL16
1530399	MAX232ESE+T	2500	38,98	RS232E 2xDr./Rec. -40/+85°C SO16