

SERIES 1846 - SINGLE-POLE PUSHBUTTON SWITCHES

TO 2 (1) A 250 V AC



PRODUCT FEATURES

- ◆ Small, compact pushbutton switch
- ◆ Long life endurance with 500 000 mechanical switching cycles
- ◆ Special design for dust and water protection

ON REQUEST

- ◆ Other colors
- ◆ With printing
- ◆ Other connection variants
- ◆ Cable assembly

Mechanical life endurance	50E4
Operating force	ca. 1 N ≤ 4.0 N (1846.0204)
Contact resistance (new condition)	< 100 mOhm (1 A 12 V DC)
Insulation resistance (new condition)	> 100 MOhm (500 V DC)
Voltage strength at 250 V	1 500 V function insulation / basic insulation 3 000 V reinforced insulation 500 V small contact distance
Proof tracking	250 PTI
Insulation spacing	acc. to EN 61058 for reinforced or double insulation
Protection type	IP 40
Ambient temperature	connection side -20 °C ... +85 °C actuating side -20 °C ... +55 °C
Flammability	UL 94 V-2
Heat and fire resistance	850 °C (category D)
Material	actuator PA housing PA connections silver-plated
Surface terminal outlet	silver-plated
Plug force of the terminals	≤ 80 N
Approval marks	
Suitable for appliances of protection class II	



ROCKER SWITCHES

PUSHBUTTON SWITCHES

TOGGLE SWITCHES

SLIDE SWITCHES

ROTARY SWITCHES

FOOT SWITCHES

POWER TOOL SWITCHES

TACT AND KEY SWITCHES













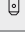


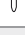



SNAP-ACTION SWITCHES

MICRO-SIGNAL SWITCHES

SENSORS

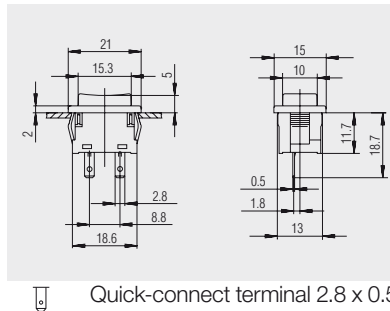
SERIES 1846 - SINGLE-POLE PUSHBUTTON SWITCHES

TO 2 (1) A 250 V AC

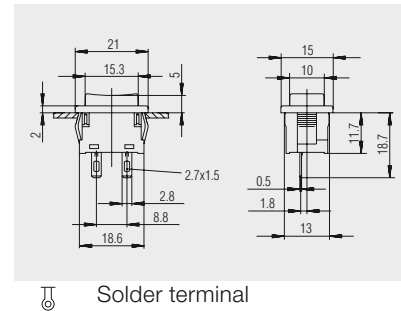
 single-pole	Actuator color / printing	Housing color	2 (1) A 250 V AC 5E4	30 mA 12 V DC 5E4	Connection type	Connection description	Contact distance in mm	Contact material	Miscellaneous	Stock version
Normally open contact (SPNO)										
1846.0201			●				< 3	Ag		●
1846.2201			●				< 3	Ag		●
1846.3201			●			2.8 x 0.5	< 3	Ag		●
1846.3204			●			2.8 x 0.5	< 3	Ag		
1846.2251				●			< 3	Au	electrical life endurance: 500 000	
1846.0204							< 3	Ag	switch operating force 4 N	



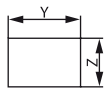
Basic type 1846



Quick-connect terminal 2.8 x 0.5

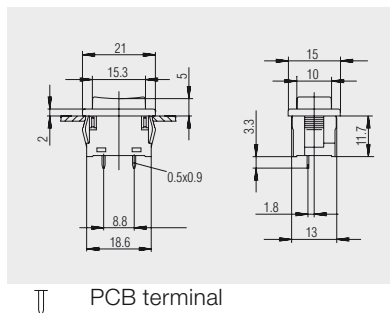


Solder terminal



X = Wall thickness

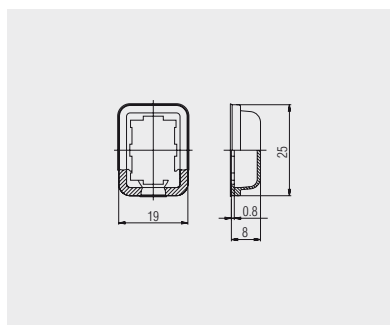
X	Y	Z
0.75 ... 1.25	19.2 ^{-0.1}	12.9 ^{+0.1}
1.25 ... 2	19.4 ^{-0.1}	12.9 ^{+0.1}
2 ... 3	19.8 ^{-0.1}	12.9 ^{+0.1}



PCB terminal



Protection cap
203.089.011



Transparent PVC-protection cap.
Serves as dust and water protection
of the actuation side.